



## Double Barrel Tower Speakers Installation Instructions and Owners Manual

Monster Tower, Inc.  
1205 Alpha Drive  
Alpharetta, GA 30004

Phone: 877-77-Tower or 770-410-3451  
Fax: 877-232-6538 or 770-234-3833  
[www.MonsterTower.com](http://www.MonsterTower.com)  
[Support@MonsterTower.com](mailto:Support@MonsterTower.com)

THANK YOU FOR YOUR BUSINESS. IF YOU ARE NOT COMPLETELY SATISFIED IN ANY WAY WITH YOUR NEW SPEAKERS, PLEASE CONTACT US. Our entire purpose as a company is to offer great products at affordable prices that our customers love.

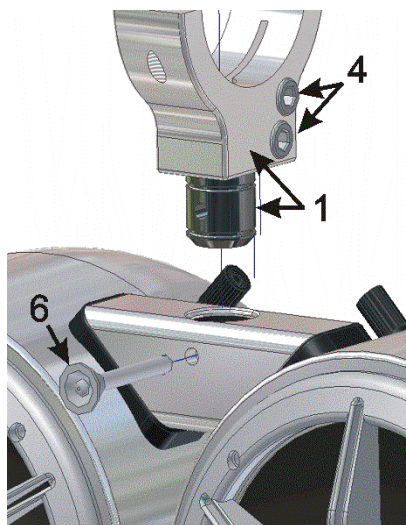
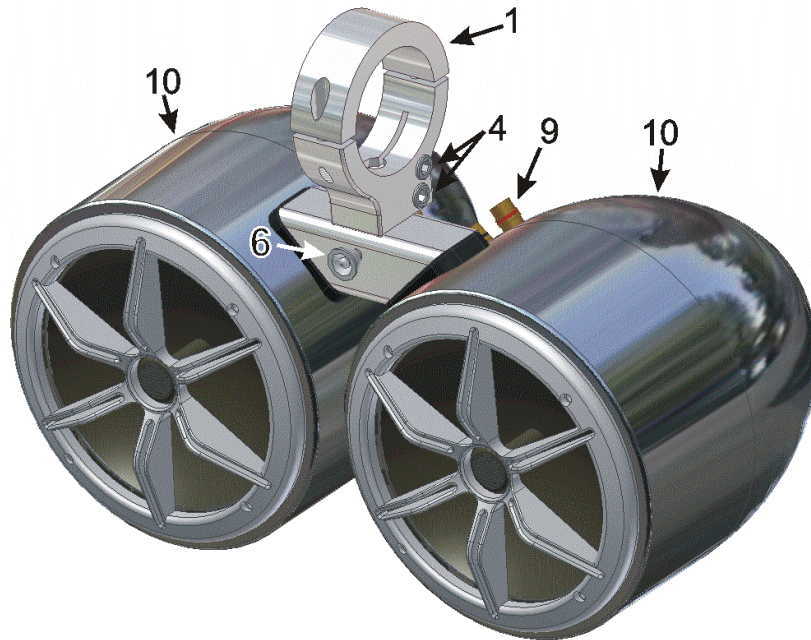
Please take a few minutes to read the installation instructions and become familiar with the speaker and installation before beginning to ensure a high quality, trouble free installation and use. If you have any questions during your installation give us a call at 877-77-Tower or e-mail [Support@MonsterTower.com](mailto:Support@MonsterTower.com)

### NOTES ON INSTALLING AND USING YOUR NEW WAKETUNES SPEAKERS

- For best performance, provide 100W-RMS at 4 Ohm to each speaker
- Always remove the wires from the binding posts before removing speakers
- Speakers can be easily removed by loosening the locking set screw, removing the detent pin and lowering the speaker
- Speakers can be pointed to the rider or the front of the boat by loosening the locking set screw, removing the detent pin and rotating the speaker
- Regularly check all hardware to make sure it is tight
- Although the speakers are weather resistant and designed for outdoors use, do not spray directly into the grill with high-pressure water
- Remove speakers for trailering to prevent bugs and road debris that need to be cleaned
- Handle the speakers with care as the aluminum enclosures can be damaged if dropped

## Double Barrel Speaker Parts List and Assembly Diagrams

Item	Qty	Description
1	2	Tower Bracket with Mounting Post
2	4	Delrin Collar Insert (not shown)
3	4	Tower Clamp Bolt (not shown)
4	4	Mounting Post Bolts
5	2	Speaker Bridge (shown on page 3)
6	2	Detent Pin
7	2	Locking Set Screw (shown on page 3)
8	1	T-Handled Hex Wrench for Set Screw (not shown)
9	8	Binding Posts
10	4	Barrel Enclosures
11	4	Speakers (actual speaker not shown)



## Assembly Instructions

**STEP 1:** Attach the Collar Bracket (Item 1) to the tower using M8x25 tower clamp bolts (Item 3) and the Delrin Collar Inserts (Item 2) that matches your size tower (2-1/2" are provided for Monster Towers and a universal kit with 1-1/2", 1-5/8", 1-3/4", 1-7/8", 2" and 2-1/4" are provided for other towers). Tighten to 20 ft-lbs.



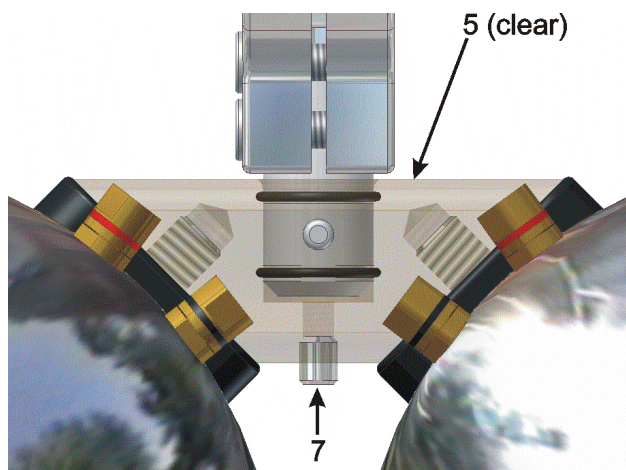
**STEP 2:** Loosen the Item 4 Mounting Post Bolts and rotate the Item 1 Mounting Post so the hole in the post aligns with the centerline of the boat. Tighten the Item 4 bolts to hold the post from rotating.

**STEP 3:** Attached the Item 5 Speaker Bridge to the Mounting Post and insert the Item 6 Detent Pin through the Item 5 Speaker Bridge and Mounting Post. The button on the end of the Detent Pin must be pressed in when inserting or removing the Detent Pin. This is how the speakers are installed and removed from the tower.

**STEP 4:** Tighten the Item 7 Locking Set Screw using the Item 8 T-Handle Hex Wrench. This is not required for smooth water or if double-up's are not routinely performed. For rougher water the Locking Set Screw adds an effective stiffening of the speakers to the clamp.

**STEP 5:** You can aim the speakers by rotating the Mounting Post. We recommend aiming each speaker 10-15 degrees to the outside of the wake corresponding to the side of the tower the speaker is mounted on. This will eliminate any phasing or imaging of the speakers and provide a more balanced sound to the rider as they move across the wake. Once positioned, tighten the mounting post bolts to 20 ft-lbs.

**STEP 6:** Attached your amp wires to the binding post and go wakeboarding!



## Wiring Instructions and Amplifier Considerations

We recommend you use 16 to 18 gage wiring between the speakers and amplifier. Consult your tower installation manual or provider for instructions on running wire inside your tower. We recommend covering the wiring with 3/8" or 1/2" wiring loom and electrical tape as shown for a professional, watertight appearance.



The most common way to wire a boat with tower speakers is with the front speaker or front pre-amp outputs of the stereo driving all speakers in the boat. The rear speaker or rear pre-amp outputs are then used for the tower speakers. This allows the fader to control the volume from inside to behind the boat.

A four-channel amplifier in the boat is typical with two channels driving the boat speakers and two channels driving the tower speakers. The next level is to have separate amplifiers for the boat and for the tower speakers. We recommend supplying 100 RMS at 4 Ohms to each speaker. The peak power of an amplifier is what is advertised, but is also often misleading. The RMS at a specific Ohm Load is the real working power of the amplifier. It is generally agreed by audiophiles that supplying too much power to speakers is far better than under powering the speakers. If there is too much power the signal "clips off" and the speakers let you know with no damage. With too little power, you send lots of distortion to the speaker, which causes speaker damage. It's far better to "over amp" the speakers and not turn it up all the way than "under amp" them and send up damaging distortion.

Most amps have a Bass boost or filter that you can use to remove or add Bass. Turn this off or put on the lowest setting to remove as much Bass as possible to the tower speakers. If your amp has a High Pass Filter turn it to the highest frequency that sounds good to filter out as much Bass as possible. The Bass uses the majority of the amplifier power with sound that will not reach the rider. Mostly high frequency and upper mid-Bass will be audible at 65'-80' behind the boat over engine, water and wind noise.

For learning more about tower audio, we highly encourage you to visit the "Boats and Accessories" discussion boards at [www.Wakeboarder.com](http://www.Wakeboarder.com) and [www.WakeWorld.com](http://www.WakeWorld.com). We also support a website at [www.diyTower.com](http://www.diyTower.com) that has a wealth of information on tower audio.

### Monster Tower, Inc. Warranty for WakeTunes Products

Monster Tower warrants this product **(not including the Speaker)** against manufacturers defects for a period of five (5) years. **The Speaker is covered by the manufactures warranty.** Anodized and Chrome plated surfaces are specifically excluded, as their care and use cannot be controlled by the manufacturer. Any modifications or improper use, not approved in writing by Monster Tower, shall void this warranty. Monster Tower is not responsible for personal injury or damage to the boat caused by the use of this product. Monster Tower's obligation under this warranty shall not include any transportation charges or costs of installation or any liability for direct, indirect or consequential damages resulting from delay or improper installation. If you need to make a warranty claim contact Monster Tower at 877-77-Tower to receive a return authorization, number which is required for all claims. Defects must be reported within 30 days of discovery.